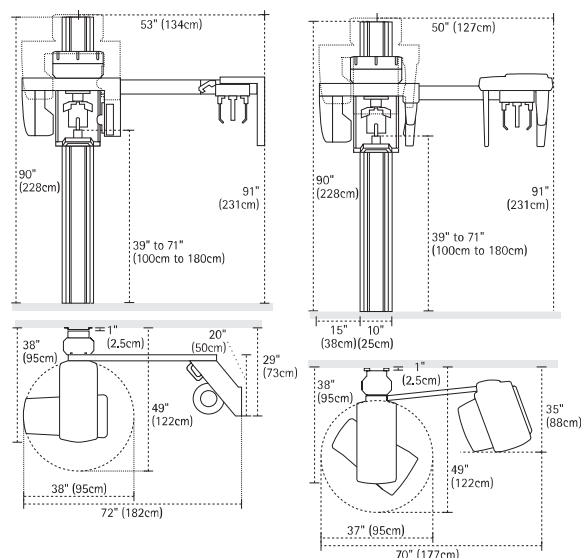


Technical Specifications

Gendex Orthoralix® 9200 / 9200 DDE

Power Supply	115 - 250 VAC \pm 10%
Frequency	50 / 60 Hz \pm 2 Hz
Maximum Line Power Rating	10 A at 250 V, 20 A at 115 V
Anode Voltage	60 - 84 kV, in 2 kV steps
Anode Current	3 - 15 mA, in 1 mA steps
Exposure Time	12 s for standard pan, 0.16 - 2.5 s for Cephalometric
Duty Cycle	1:20 at full power operation
Focal Spot	0.5 mm, IEC 336 (1993)
Vertical Reach	39" to 71" (100 to 180 cm) from floor to occlusal plane
Weight	410 lbs (115 kg), 467 lbs (212 kg) with Ceph arm

Unit Dimensions



Orthoralix 9200 DDE

Active Area CCD Sensor	147 x 6 mm (Standard Pan), 220 x 6 mm (Ceph)
Image Size	1536 x 2725 pixels (Standard Pan), 2304 x 2529 pixels (Ceph - Maximum)
Minimum PC Requirements	Pentium® II CPU, 400 MHz, 256 MB RAM
Required Operating System	Microsoft® Windows 98® / Windows 2000® / Windows XP®

Orthoralix 9200 Film-Based

Panoramic Cassette	Flat 6" x 12" (15 x 30 cm) with Lanex medium screens
Cephalography Cassette	Flat 8" x 10" (20 x 25 cm) with Lanex regular screens



Gendex Dental Systems
 901 West Oakton Street
 Des Plaines, IL 60018 U.S.A.
 Tel 1-888-275-5286
 www.gendex.com